



Rattan Daybed

Instruction Manual



After Sales Support

Call 0871 911 7031

Email customerservice@gardengearonline.co.uk

Product Code: G3720 G3869

Thank you for purchasing this product, which has been made to demanding high quality standards and is guaranteed for domestic use against manufacturing faults for a period of 12 months from date of purchase

For correct usage, read these instructions carefully and keep in a safe place for future reference



INTRODUCTION

Congratulations

You have made an excellent choice with the purchase of this quality Garden Gear product.

By doing so you now have the assurance and peace of mind which comes from purchasing a product that has been manufactured to the highest standards, performance and safety.

We want you to be completely satisfied with your purchase, so this Garden Gear product is backed by our full 12 month manufacturers guarantee and an outstanding after sales service through our dedicated Helpline.

Register your product for an extended 2-year warranty by visiting our website www.gardengearonline.co.uk. The product must be registered, along with your contact information, within 30 days of purchase. For full terms and conditions please visit our website.

We hope you enjoy using your purchase for many years to come.














General information and safety warnings

- Construct your rattan set on a flat, even surface.
- DO NOT fully tighten bolts until all parts are completely assembled.
- PLEASE NOTE: The maximum user weight for each section is 250kg, or 125kg per user.
- For outdoor use only.
- Not suitable for commercial purposes.
- Do not stand on the arms or the backs of the chairs.
- Do not stand or jump on the seats.
- Do not allow children to play with the furniture.
- It is possible to assemble this set by yourself however it would be easier with 2 people.
- Do not use if cracked or damaged.
- We strongly advise covering up or storing away your furniture when not in use to protect it from the elements and to prolong the life of the furniture.
- Set conforms to EN 581.

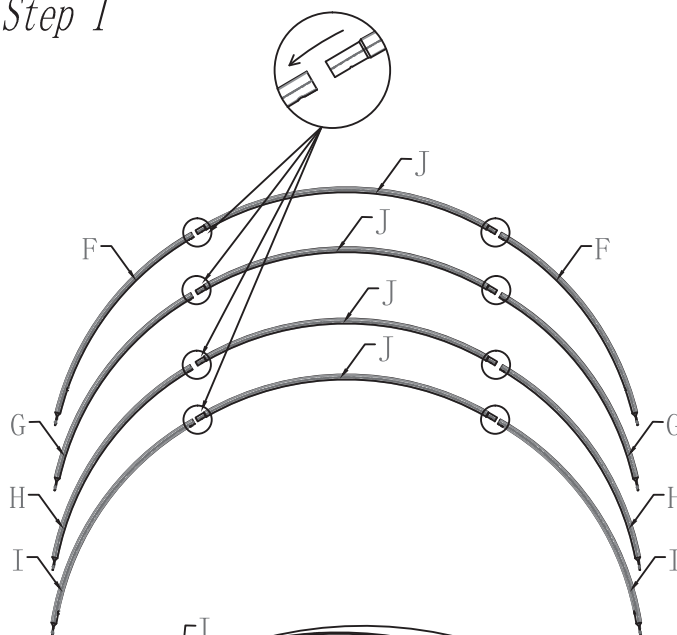
Assembly

- Carefully unpack the product and ensure that you have all the correct parts.
- Assemble the furniture on a flat, level surface.
- Lay out everything that you need on a flat, soft and level surface.
- We recommend that two people assemble this furniture.

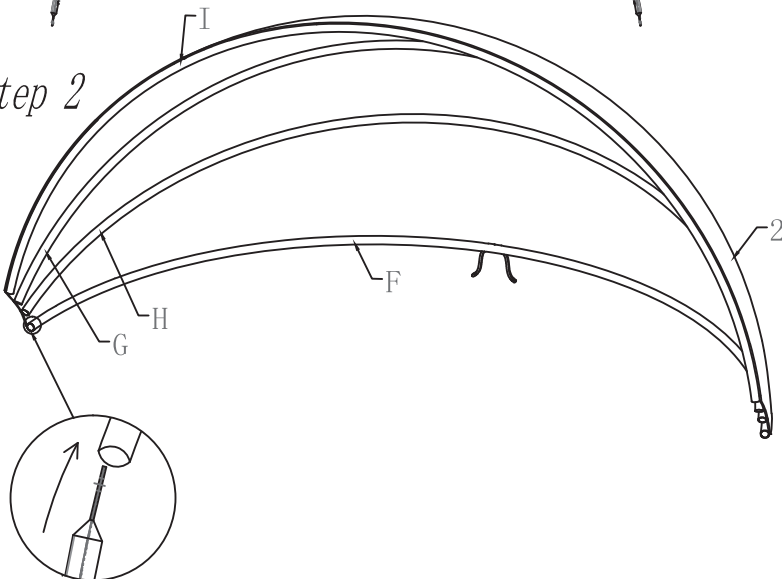
Bed Canopy Parts List & Assembly

F		2
G		2
H		2
I		2
J		4
W		2
X		4
R	 M6*15	4
S	 M6*35	8
U		20
V		8
1		8
2		1

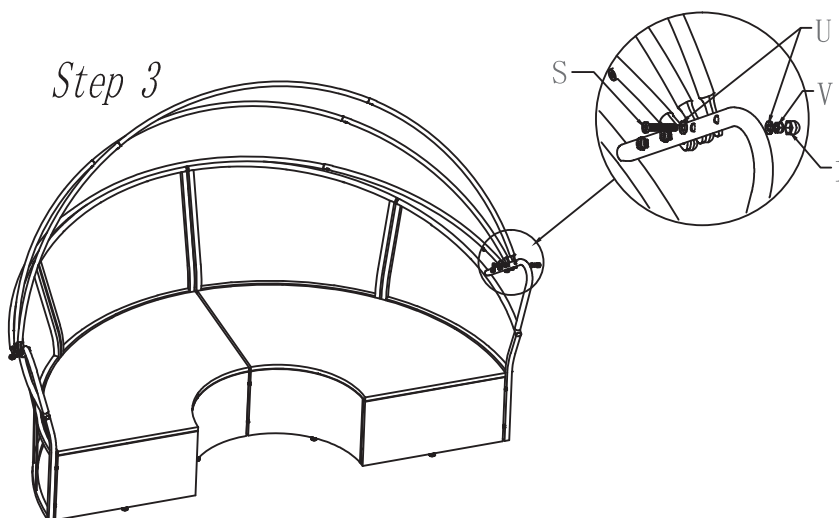
Step 1

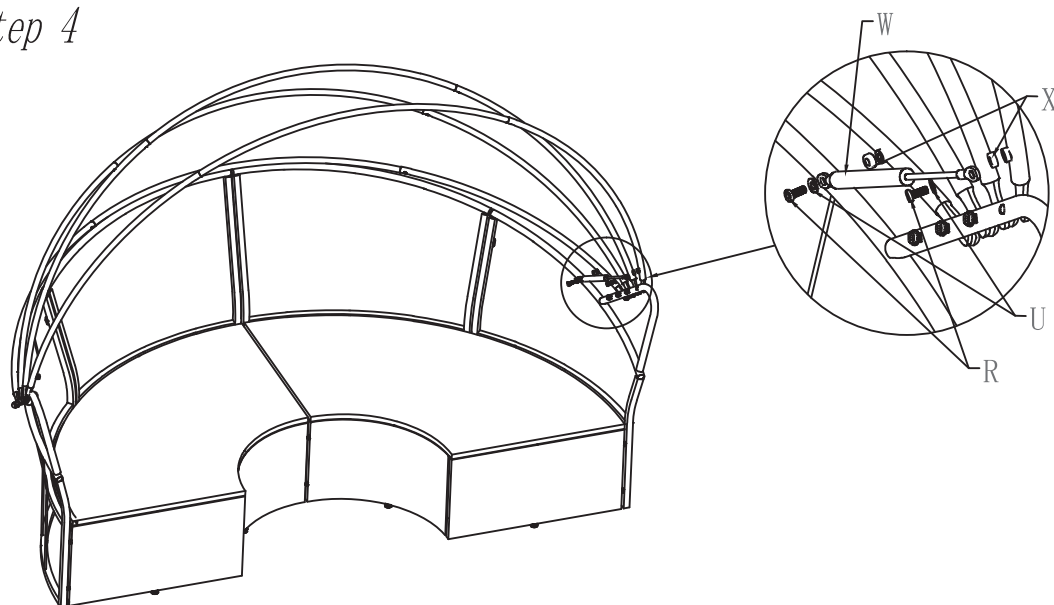
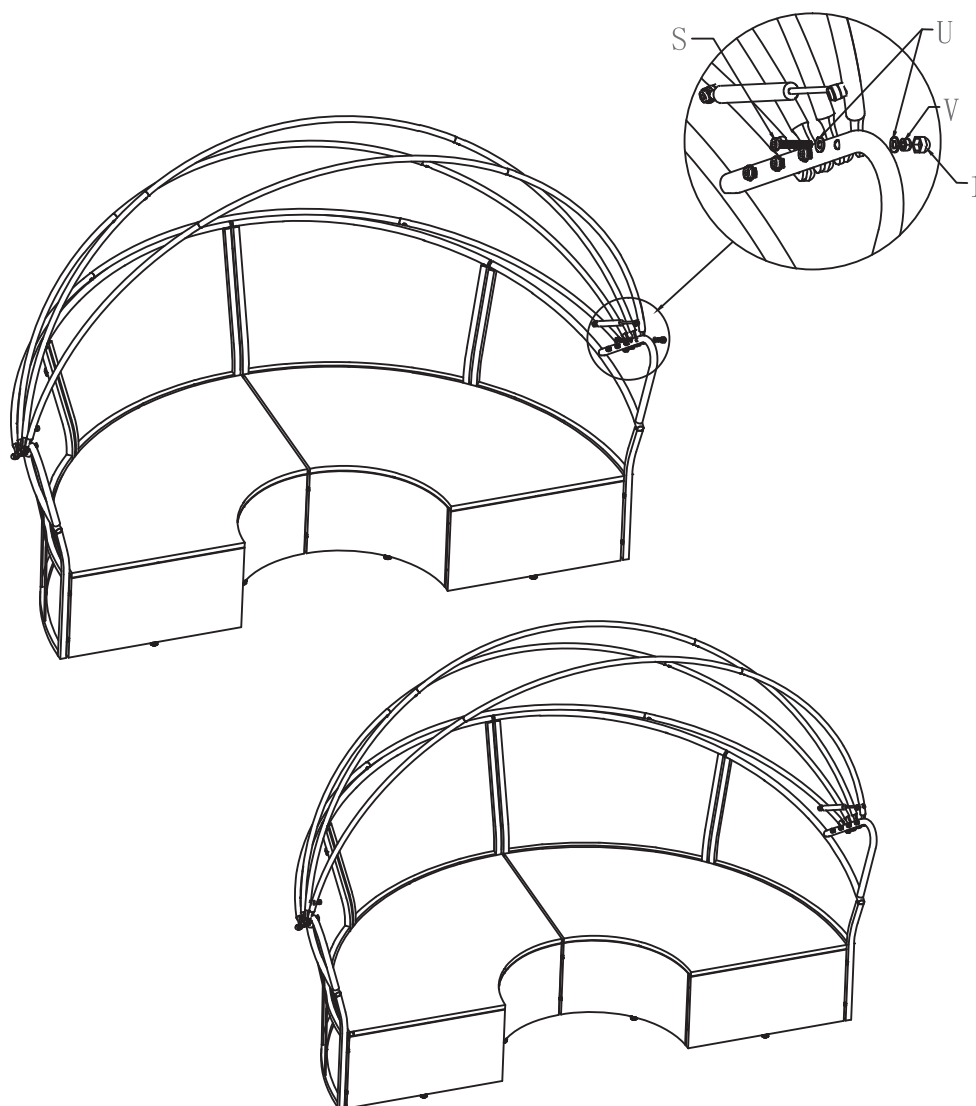


Step 2




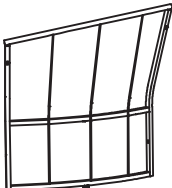






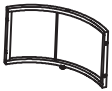







Step 3

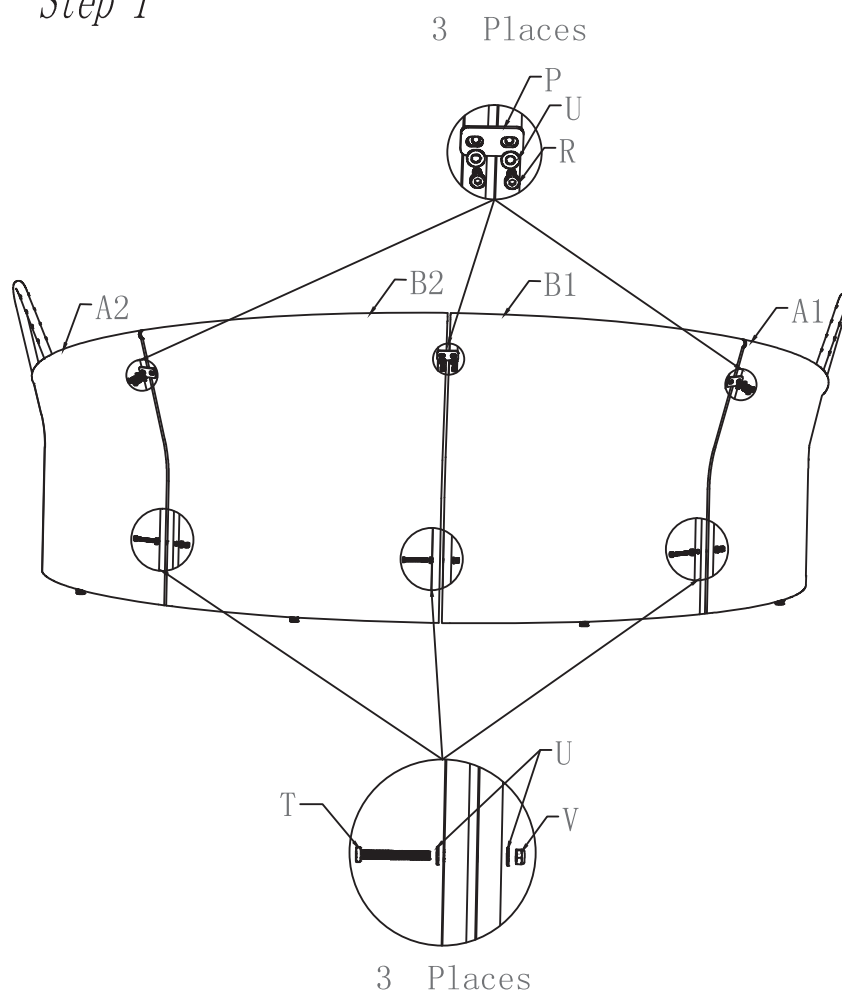
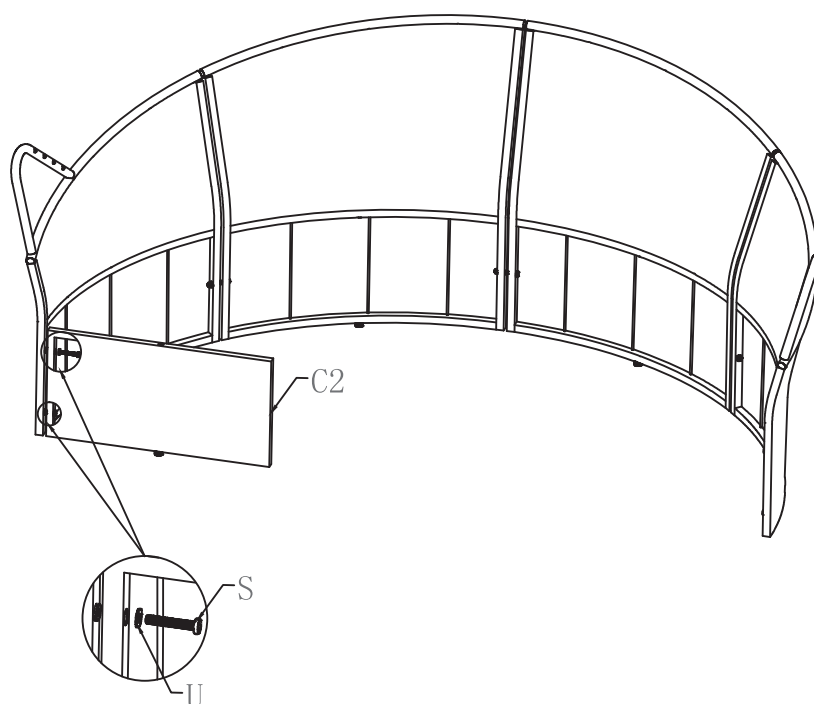


Step 4*Step 5*

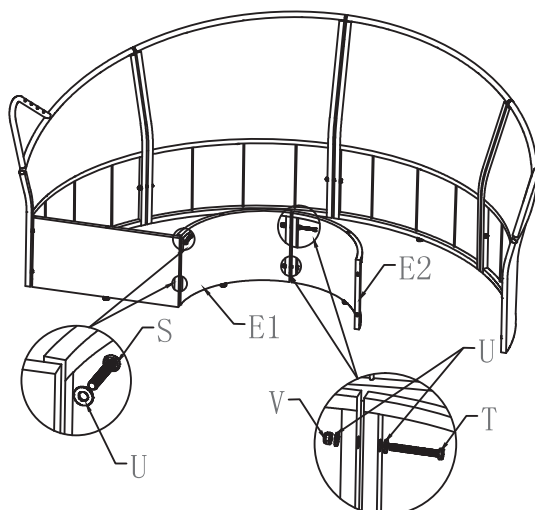
Sofa Parts List & Assembly

A1		1
A2		1
B1		1
B2		1
C1		1
C2		1

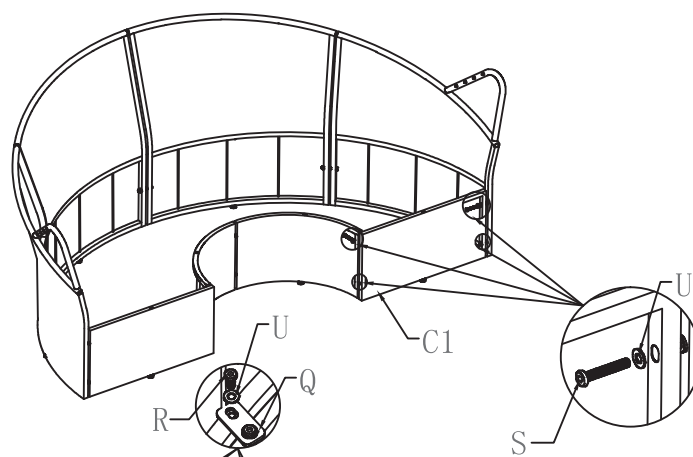
D		2
E1		1
E2		1
P		4
Q		4
R	 M6*15	16
S	 M6*35	12
T	 M6*50	5
U		38
V		5

Step 1*Step 2*

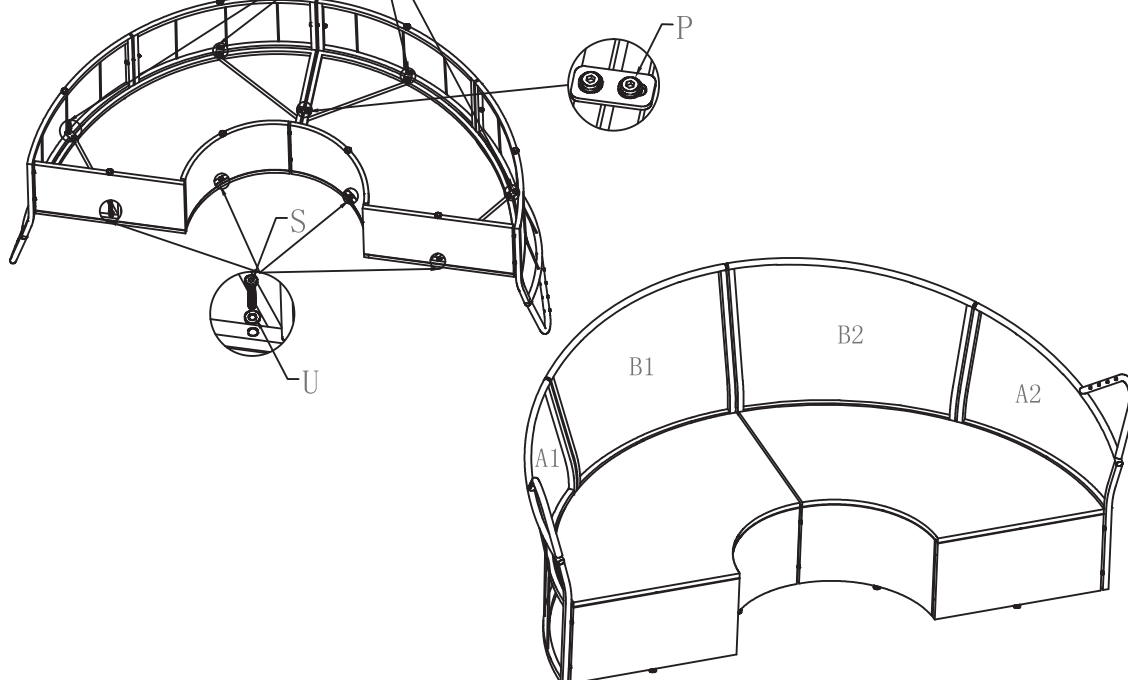
Step 3




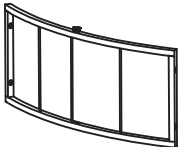
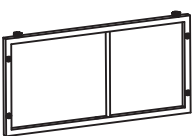
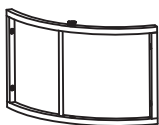




Step 4



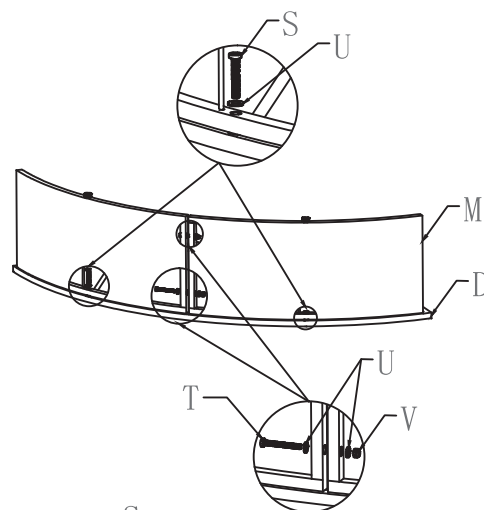
Step 5



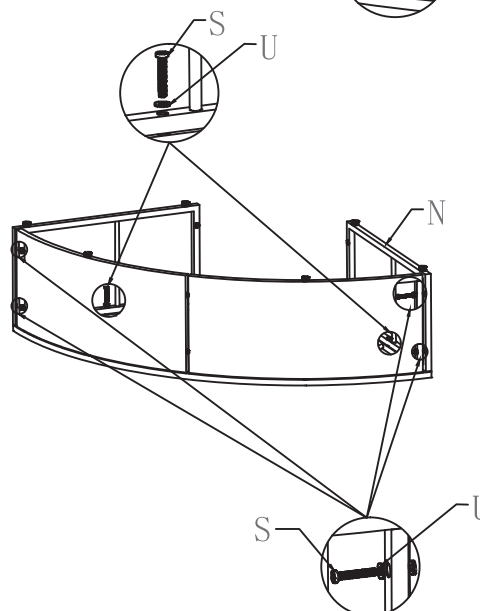
Seats Parts List & Assembly

D		2
M		4
N		4
O		2
S	 M6*35	26
T	 M6*50	4
U		34
V		4

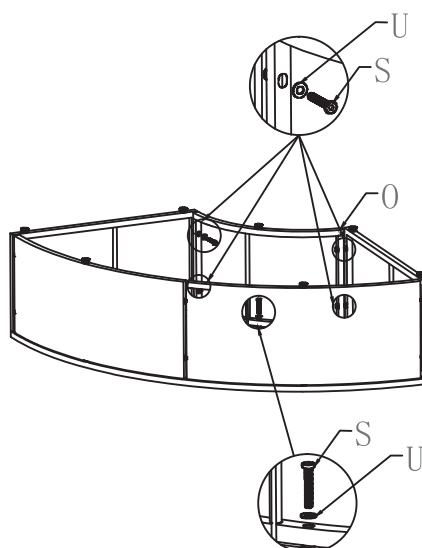
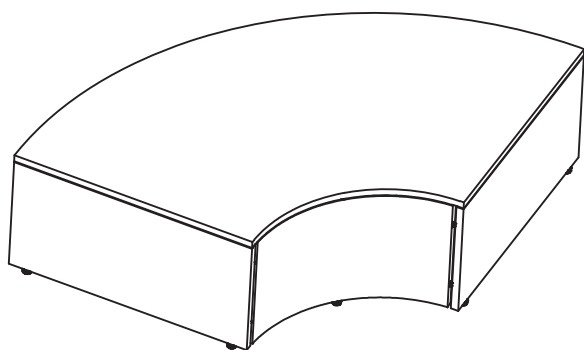
Step 1

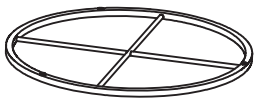
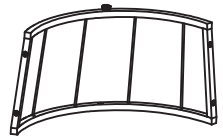








Step 2

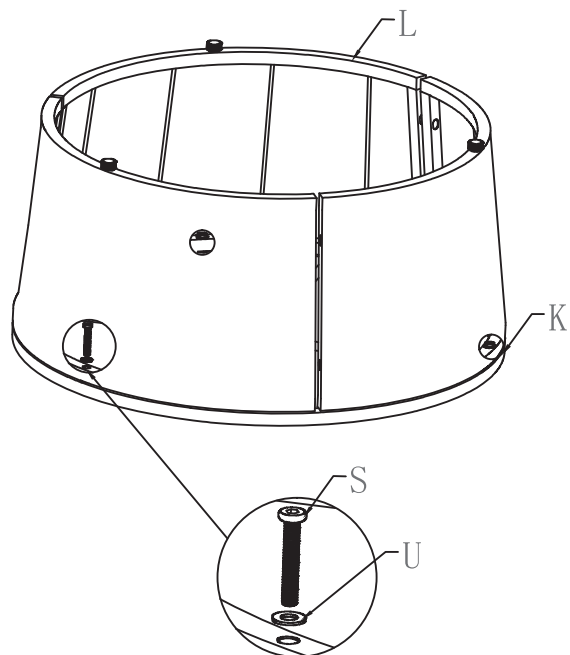


Step 3

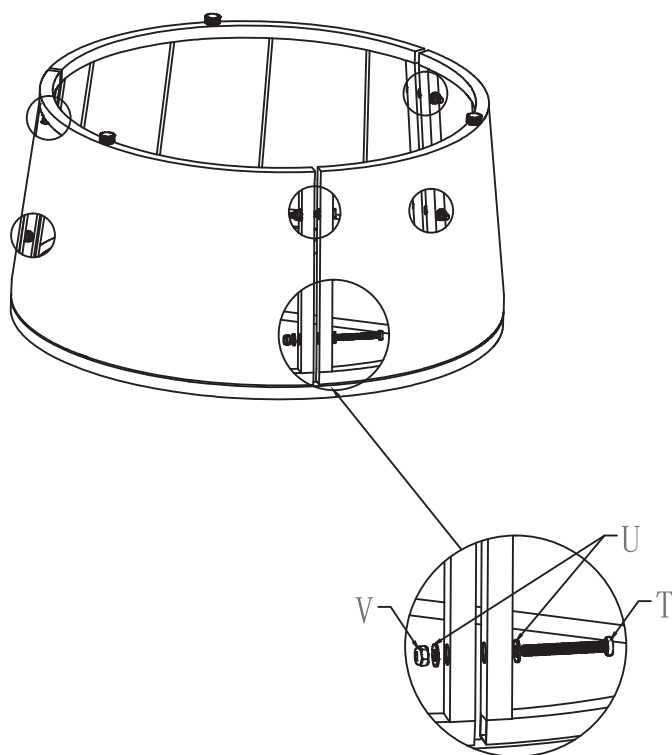
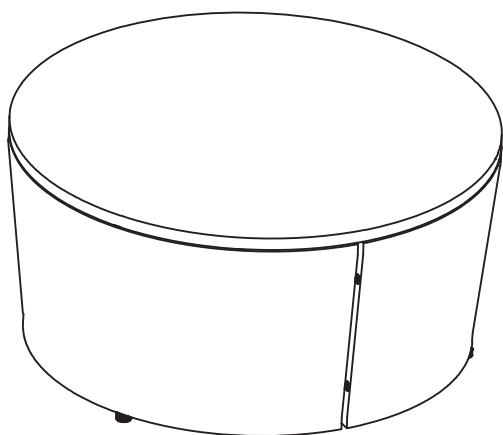


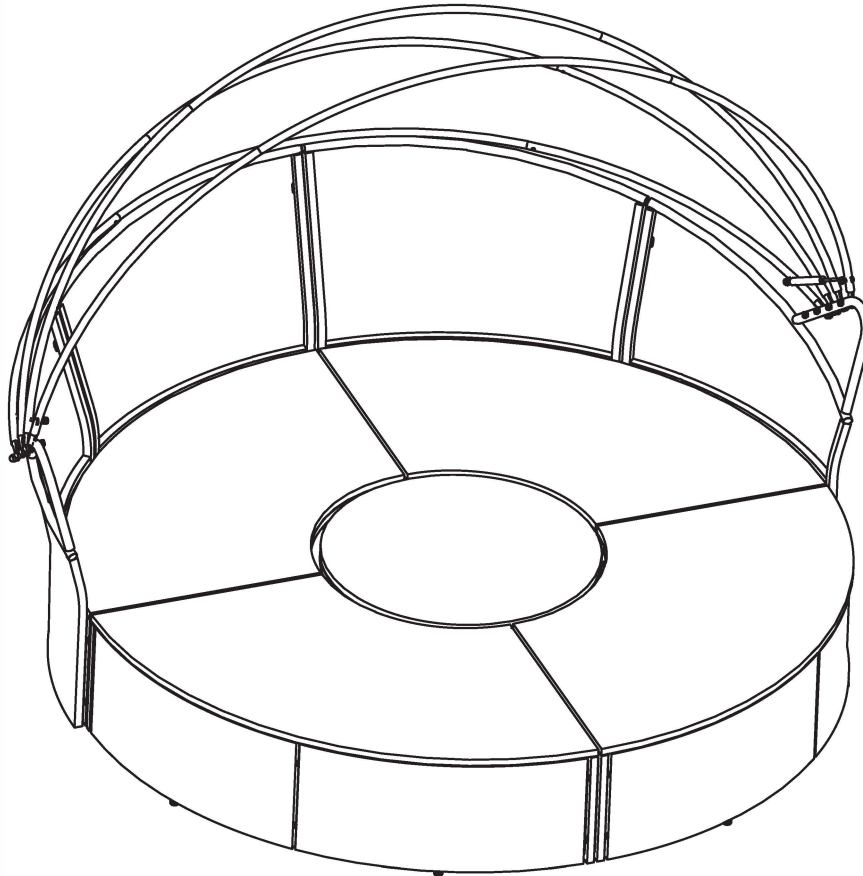
K		1
L		3
S	 M6*35	3
T	 M6*50	6
U		15
V		6
Y		1
Z		1

Step 1



Step 2





Care and maintenance

- Wipe with a soft damp cloth only and allow to dry naturally.
- Ensure the furniture is completely dry before storing.
- Periodically check that all screws and fixings are secure and the furniture is stable.
- We strongly advise covering up or storing away your furniture when not in use to protect it from the elements and prolong the life of the furniture.
- Remove any stains from spillages as quickly as possible.
- After use, store the cushions in a clean, dry place.

GUARANTEE

IMPORTANT

**Please do not return this product without first calling the Customer Service number below:
0871 911 7031**

Thank you for purchasing this product, which has been made to demanding high quality standards and is guaranteed for domestic use against manufacturing faults for a period of 12 months from the date of purchase.

Register your product for an extended 2-year warranty by visiting our website www.gardengearonline.co.uk. The product must be registered, along with your contact information, within 30 days of purchase. For full terms and conditions please visit our website.

This guarantee does not affect your statutory rights. If your product fails due to a defect in material or workmanship during this period, please return it to the place of purchase. Normal wear and tear is not covered under the guarantee.

Any guarantee is invalid if the product has been misused or subject to neglect or an attempted repair other than by our own service centre.

Due to continuous product improvement, we reserve the right to change the product specification without prior notice.

After Sales Customer Service:

Customer Service Department, Branded Garden Products Ltd, Premier House, Hortonwood 7, Telford, TF1 7GP, UK

Telephone: 0871 911 7031

E-mail customerservice@gardengearonline.co.uk

Please retain for future reference.
Colours and contents may vary.